

Titan Ridge Tamales

Thunderbolt3 Dock

Specification

1. ID Introduce



2. Specification

2.1 IC Controller

- A. Intel Titan Ridge JHL7440
- B. Cypress CCG5
- C. Realtek 5420 (USB3.1-10G HUB)
- D. Realtek 5411E (USB3.0-5G HUB)
- E. Realtek 8153B (Giga LAN)
- F. Realtek5329(SD4.0 Card-Reader)
- G. JM578(Cfast2.0 Card-Reader)

2.2 Interface

- A. Thunderbolt 3 40Gbps x 2
- B. Display Port 1.4 x 1
- C. USB3.1 Gen 2 10Gbps Type A x 2
- D. USB3.1 Gen 2 10Gbps Type C x 1
- E. 10/100/1000M Ethernet x1
- F. SD4.0 (UHS-II) Card-Reader x1
- G. Cfast2.0 Card-Reader x1
- H. 20V/6A DC IN x1

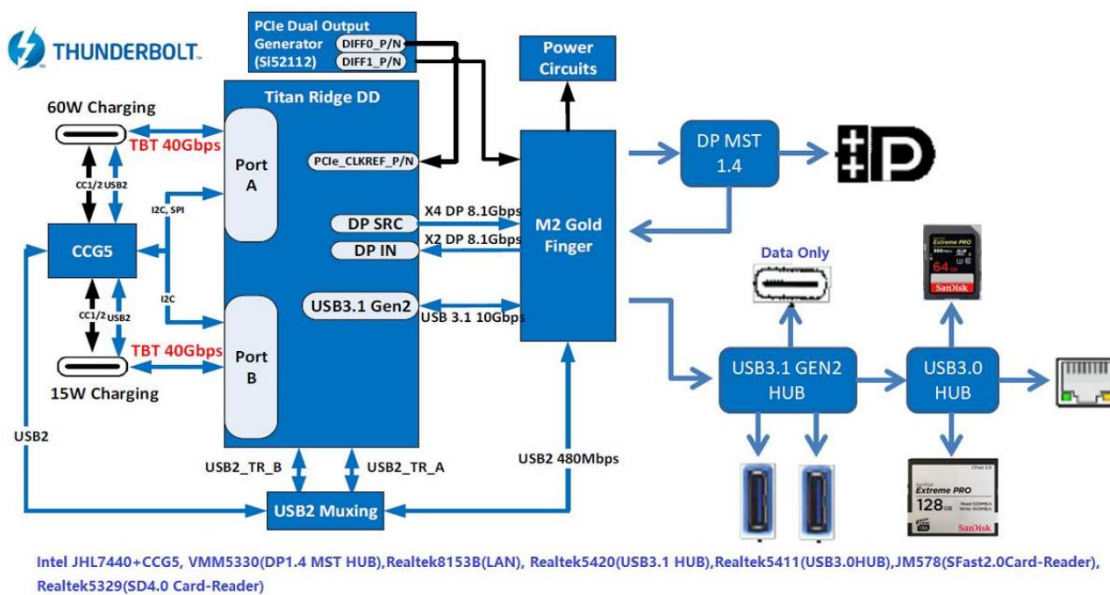
3. Features

- A. Intel Titan Ridge Universal docksupport both Thunderbolt Host and MFDP host PC

or Notebook.(Intel Alpine Ridge is old version, only support Thunderbolt3 host PC or Notebook)

- B. Supports 2x thunderbolt3 40Gbps and Thunderbolt3 daisy chain.
- C. Supports single 8K@60Hz(7680x4320),5K@60Hz (5120x2880) UHD or dual 4K@60Hz display output.
- D. Thunderbolt Port A support PD 60W charging(5V/9V/15V/20V @3A).
- E. Thunderbolt Port B support PD 15W charging(5V@3A).
- F. USB3.1 Gen 2 Type A supports 1000MB/S and 5V@1.5A.
- G. USB3.1 Gen 2 Type C supports 1000MB/S and 5V@3A.
- H. SD4.0 (UHS-II) Card-Reader Supports 280MB/S
- I. Cfast2.0 Card-Reader Supports 500MB/S

4. Block Diagram



5. Operating System Support

- A. Mac OS X 10.12 and future releases.
- B. Windows 8/10 32 and 64 bit and future releases.

6. Power & Accessories

- A. Power Supply: External universal Power(120W/ 20V@6A) x1.
- B. Including Thunderbolt3 cable 0.7m. x1
- C. User manual x1.
- D. Retail Color Box x1.